

# BABY SCALES



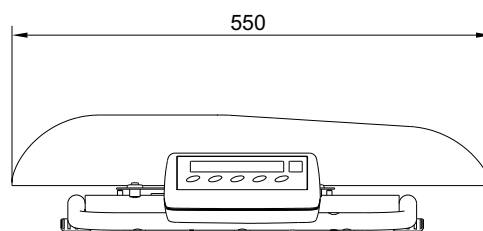
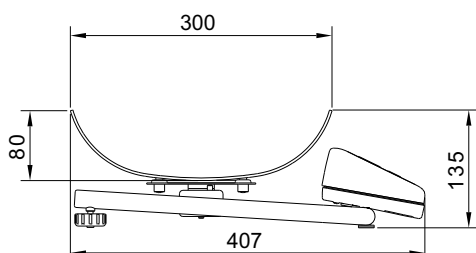
Release date: 01.06.2013



Scales WPT 6/15DC and WPT 10/20DC are precise electronic weighing equipment manufactured in class III and designed for weighing infants. The weighing pan is made of Owispol polystyrene and the display is in backlit LCD version.

Each scale is powered by mains (230V/11V AC). The indicator has also container for batteries (6xAA - an alternative Power source for the scale).

Measuring indicator PUE C/31 is standard equipment of this scale.



## Technical data:

	WPT 6/15D	WPT 10/20D
Max capacity	6/15 kg	10/20 kg
Readability	2/5 g	5/10 g
Tare range	-15 kg	-20 kg
Working temperature	0° - +40 °C	
Interface	RS 232	
Power supply	230V / 11V AC or 120V / 11V AC and 6xAA NiMH accumulator	
Display	LCD (backlit)	

## Additional equipment:

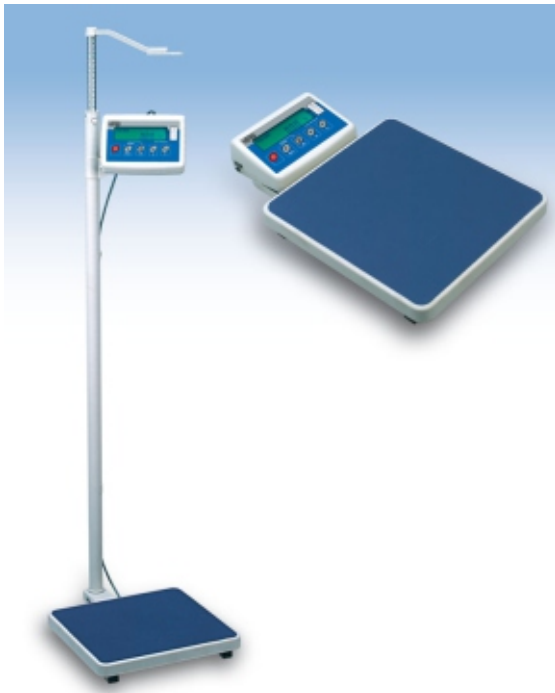
"KAFKA" THERMAL PRINTER

COMPUTER SOFTWARE: PW-WIN, RAD-KEY 2000

# PERSONAL SCALES



Release date: 01.06.2013

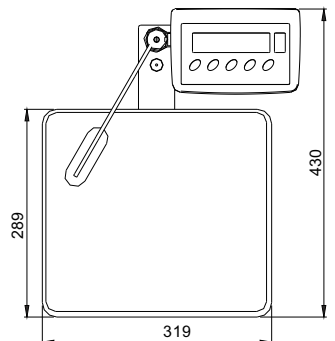
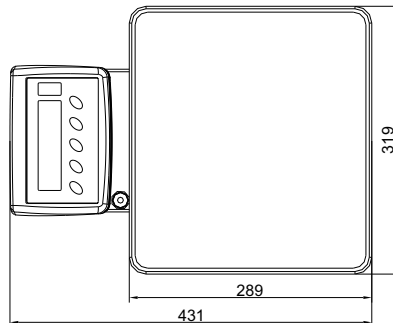
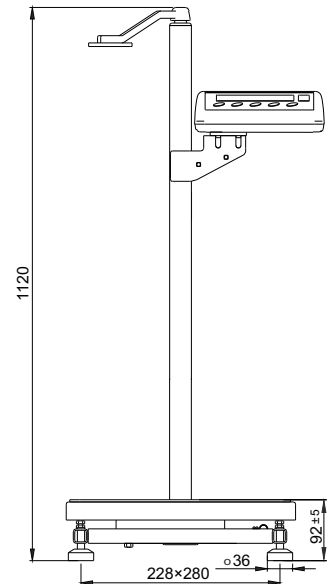
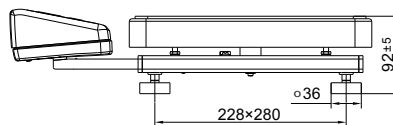
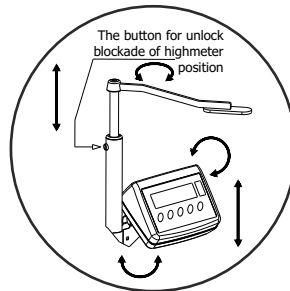


Scales designed for weighing patients in clinics. Using height-meter, it is possible to measure the height of a patient up to 2 meters. Scales are equipped with backlit LCD display, Power supply either from mains or from batteries.

Personal scales are manufactured in two versions:

- with height-meter (indicator installed on the pillar of height - meter)
- without height-meter (indicator attached to the weighing platform).

Measuring indicator PUE C/31 is standard equipment of this scale.



## Technical data:

	WPT 60/150 OW WPT 60/150 O	WPT 100/200 OW WPT 100/200 O
Max capacity	60/150 kg	100/200 kg
Readability	20/50 g	50/100 g
Tare range	-150 kg	-200 kg
Working temperature	0° ÷ +40 °C	
Output signal	RS 232	
Power supply	230V / 11V AC or 120V / 11V AC and 6×AA NiMH accumulator	
Display	LCD (backlit)	

## Additional equipment:

"KAFKA" THERMAL PRINTER

COMPUTER SOFTWARE: PW-WIN, RAD-KEY 2000

### RADWAG Balances & Scales

26-600 Radom • 28 Bracka Street • POLAND • Phone: +48 48 3848800 • Fax: +48 48 3850010 • www.radwag.com • e-mail: export@radwag.com

# BED SCALES



Release date: 01.06.2013



Bed scales series WPT/4B are precise weighing instruments verified in class III, and designed for weighing patients who lie on bed.

Four weighing modules connected with cables allow for placing the scale under optional size of bed. Lifting the bed is very simple with a jack specially designed for this purpose (it is designed for wheels size between 100 and 200 mm).

Scales series WPT/4B 500 C are equipped with measuring indicator series PUE C31 with backlit LCD display. Standard power supply of the scale is mains 230V AC/11V AC. Additionally, the scale is powered from rechargeable batteries NiMH (6× AA). RS 232 output is standard scale equipment. Scale is transported on a trolley, which is simultaneously a stand for the scale display.

## Technical data:

	WPT/4B 500C
Max capacity	500 kg
Readability	200 g
Tare range	-500 kg
Working temperature	0° - +40 °C
Output signal	RS 232
Power supply	230V / 11V AC or 120V / 11V AC and 6×AA NiMH accumulator
Display	LCD (backlit)

## Additional equipment:

"KAFKA" THERMAL PRINTER

COMPUTER SOFTWARE: PW-WIN, RAD-KEY 2000

# BED SCALES

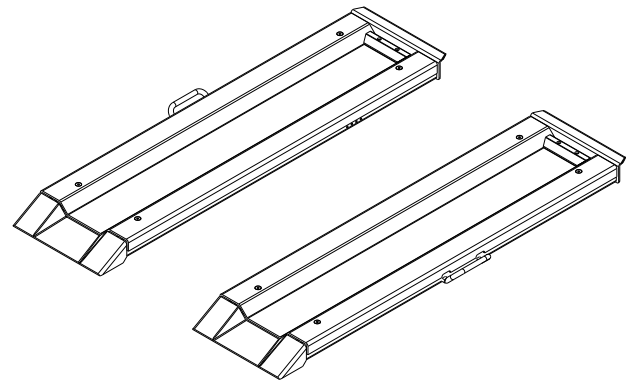
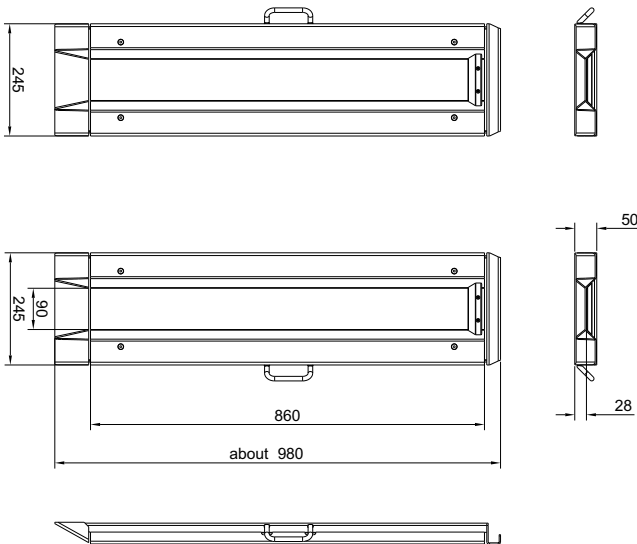


Release date: 01.06.2013



Scale designed to weigh patients in lying position. The construction of bed scales allows for application of this weighing equipment for various types of beds and braking systems. Long beams allow for measuring bed's mass regardless of the place on which the bed is positioned on beams. Adjustable distance between the beams (up to 2,5 meters) is appropriate for different types of beds. The scale is equipped with backlit LCD display, powered either by mains or by batteries. Bed scales have application of most recent technologies of load cells, and thus the scales can be characterized for:

- light construction (single beam mass is approximately 8 kg);
- ease transportation;
- easy running onto the beams (beam height: approximately 18mm).



## Technical data:

	WPT/8B 300C
Max capacity	300 kg
Readability	100 g
Tare range	-300 kg
Working temperature	0° - +40 °C
Output signal	RS 232
Power supply	230V AC, 50Hz / 11V AC and 6×AA
Display	LCD (backlit)

## Additional equipment:

"KAFKA" THERMAL PRINTER  
 COMPUTER SOFTWARE: PW-WIN, RAD-KEY 2000