

MOISTURE ANALYZER MA 3Y



release date 21-02-2014



Moisture analyzer is a laboratory measuring instrument intended to determine relative moisture content in samples of different substances. **MA 3Y** features 5,7" LCD colour touch panel which provides new possibilities of instrument's operation and presenting measurement results. It features extended databases containing programmable drying modes related to the database of samples. MA 3Y series enables printing and exporting charts presented on its display to a BMP file.

Highlights of moisture analyzer MA3Y series:

- accuracy of moisture content readout 0,0001%
- heating components: halogen, IR emitter or a heater in metal housing,
- graphic presentation of drying result, charts: Δm , %M, %D, %R,
- drying profiles: standard, mild, step, quick
- finish mode: AUTO 1 – 5, manual, automatic, time defined
- database of drying procedures: ~1000 records for each data type
- database of samples
- interfaces: 2 x USB 2.0; 4IN / 4OUT; RS 232; Ethernet 10/100Mbit.



2 years warranty period

Personalization of instrument's settings is carried out in extended user profiles. Level control is based on LevelSENSING system, RADWAG patented solution, which uses a system of an electronic level. Standard and user defined printouts allow for maintaining documentation complying with GLP/GMP requirements practically in any application.

Technical data:

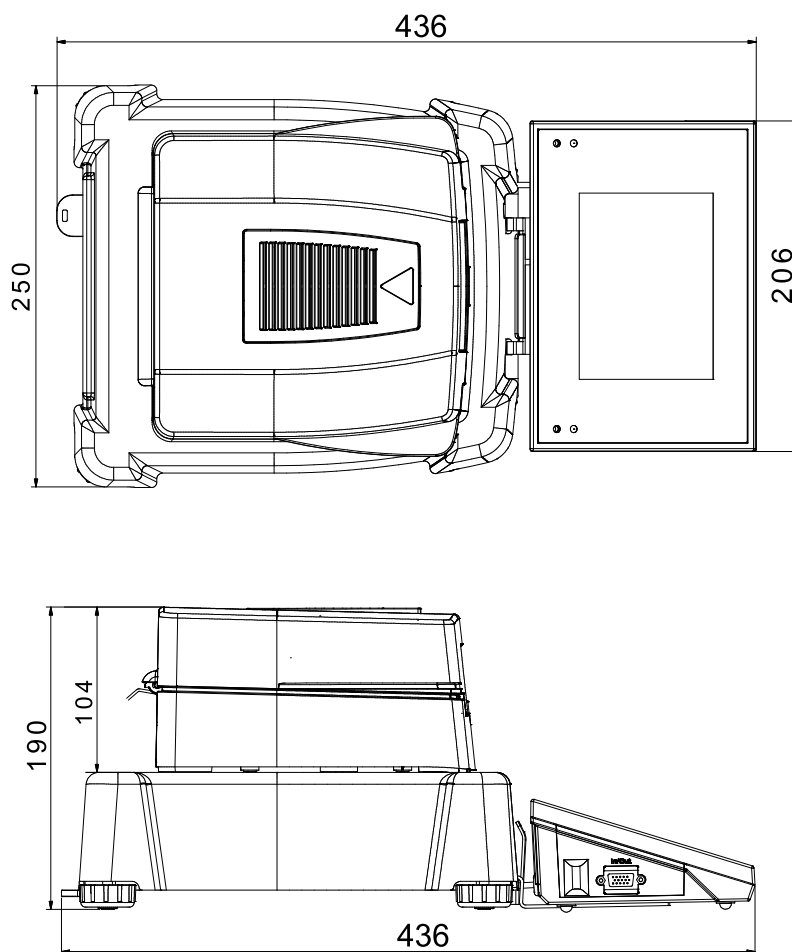
	MA 60.3Y	MA 200.3Y
Max capacity	60 g	200 g
Reading unit	0,1 mg	1 mg
Tare range	-60 g	-200 g
Max sampling mass	60 g	200 g
Accuracy of moisture readout	0,0001 %	0,001 %
Repeatability of moisture readout	0,05% (sample 2 g), 0,01% (sample 10 g)	
Maximal height of the tested sample	h= 20 mm	
Pan size	ø 90 mm, h= 8 mm	
Range of drying temperature *	max. 160° C	
Heating module **	IR emitter	
Power of heating device	400 W	
Drying modes	4 drying modes (standard, quick, step, mild)	
Auto switch off options	3 modes (manual, automatic, time defined)	
Additional functions	sample identification, drying diagram	
Working temperature	+10° ÷ +40 °C	
Power supply	220÷240 V AC, 50÷60 Hz	
Display	LCD 5,7" with touch panel	
Interface	2 x USB 2.0, 4 Inputs / 4 Outputs, RS 232, Ethernet 10/100Mbit	
Net weight/Gross weight	6 / 10 kg	
Packaging size	595 x 395 x 420 mm	

* Moisture analyzer available with upgraded maximum drying temperature to 250°C

** Optionally available heating elements:

- halogen (max= 250°C)
- metal heater (max= 160°C)

Dimensions:



Additional equipment:

Antivibration table for laboratory balances	Computer Software: PW-WIN 2005, RAD-KEY 2000
Kafka thermal printer	Control Thermometer GT105k-12
Dot matrix Epson printer	Disposable Weighing Pans
Label printer Citizen	Mass Standard
PC USB keyboard	Cable RS 232 (scale - Kafka printer) "P0136"
Antistatic cable PA1	Cable RS 232 (scale, Epson, Citizen printer) "P0151"

MOISTURE ANALYZER MAC



release date 21-02-2014



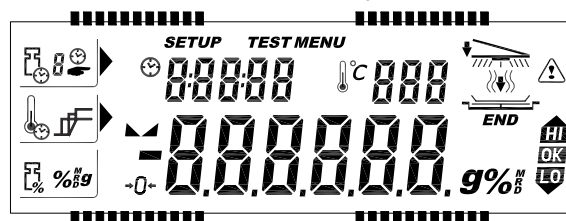
A moisture analyzer is a laboratory measuring instrument designed to determine relative humidity content in relatively small samples of various substances.

Moisture analyzer series MAC features:

- easy operation provided by backlit LCD display
- drying profile (standard, mild, step, rapid).
- finish mode (manual, humidity stabilization, automatic, time defined).
- GLP/GMP printouts and reports
- infrared lamps
- standard and non-standard applications
- optimization of work ensured by halogen lamps mode

Maximal capacity of a moisture analyzer series MAC is 210 g /1 mg. Maximal drying temperature is 160°C (an extra cost option is a moisture analyzer with drying temperature upgraded to 250°C).

LCD display



Technical data:

	MAC 50/1	MAC 50	MAC 110	MAC 210
Max capacity	50 g	50 g	110 g	210 g
Reading unit	0,1 mg	1 mg	1 mg	1 mg
Tare range	-50 g	-50 g	-110 g	-210 g
Max sampling mass	50 g	50 g	110 g	210 g
Accuracy of moisture reading	0,0001 %	0,001 %	0,001 %	0,001 %
Moisture readout repeatability	0,1% (sample 2 g), 0,02% (sample 10 g)			
Maximal height of the tested sample	h= 20 mm			
Pan size	ø 90 mm, h= 8 mm			
Range of drying temperature *	max. 160° C			
Heating module **	IR emitter			
Drying modes	4 drying modes (standard, quick, step, mild)			
Auto switch off options	3 modes (manual, automatic, time defined)			
Additional functions	sample identification			
Working temperature	+10° - +40 °C			
Power supply	230V AC or 120V AC			
Display	LCD (backlit)			
Net weight / Gross weight	4,9 / 6,4 kg			
Packaging dimensions	470×380×336 mm			

* Moisture analyzer available with upgraded maximum drying temperature to 250°C

** Optional heating module: WH -halogen (max= 250°C); NS - metal heater (max= 160°C)

Additional equipment:

ANTI-VIBRATION TABLE	DISPOSABLE WEIGHING PANS
"KAFKA" THERMAL PRINTER	CONTROL TERMOMETER
IMPACT "EPSON" PRINTER	ADJUSTMENT / CALIBRATION WEIGHT
	COMPUTER SOFTWARE: PW-WIN 2005, RAD-KEY 2000

RADWAG Balances & Scales

26-600 Radom • 28 Bracka Street • POLAND • Phone: +48 48 3848800 • Fax: +48 48 3850010 • www.radwag.com • e-mail: export@radwag.com



Moisture analyzers are laboratory measuring instruments designed to determine relative humidity content in relatively small samples of various substances.

Moisture analyzer series MAX features backlit graphic display, which makes the instrument's interface transparent and easy to use. User menu includes a data base with 99 drying procedures, with specified drying parameters for each database entry (i.e. substance name, its number, ID, etc).

Moisture analyzer MAX features:

- easy operation provided by backlit graphic display;
- standard and non-standard applications;
- available software languages versions: Polish, English, German, French, Spanish, Russian, Czech;
- menu operation with peripheral PC keyboard;
- data base with 99 drying procedures;
- drying profiles (standard, mild, step, rapid);
- finish mode (manual, automatic, time defined);
- visualization of drying process
- GLP/GMP printouts and reports
- halogen or infrared lamps

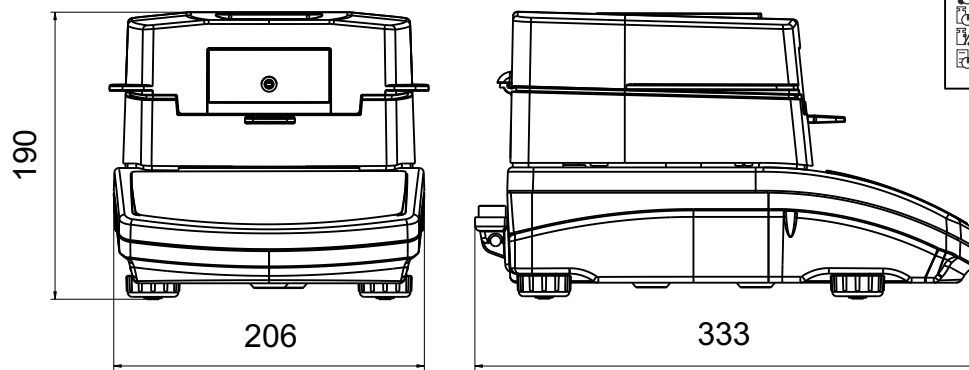
Maximal capacity of moisture analyzer series MAX is 50 g / 0,1 mg. Maximal drying temperature equals 160°C (an extra cost option is moisture analyzer with drying temperature upgraded to 250°C).

Technical data:

	MAX 50/1	MAX 50	MAX 60
Max capacity	50 g	50 g	60 g
Reading unit	0,1 mg	1 mg	1 mg
Tare range	-50 g	-50 g	-60 g
Max sampling mass	50 g	50 g	60 g
Accuracy of moisture readout	0,0001 %	0,001 %	0,001 %
Repeatability of moisture readout	0,05% (sample 2 g), 0,01% (sample 10 g)		
Maximal height of the tested sample	h= 20 mm		
Pan size	ø 90 mm, h= 8 mm		
Range of drying temperature	max. 160° C		
Heating module *	IR emitter		
Drying modes	4 drying modes (standard, quick, step, mild)		
Auto switch off options	3 modes (manual, automatic, time defined)		
Additional functions	sample identification, drying diagram		
Working temperature	+10° ÷ +40 °C		
Power supply	110 ÷ 240V AC, 50÷60 Hz		
Display	graphic (backlit)		
Net weight / Gross weight	5,1 / 6,6 kg		
Packaging dimensions	470×380×336 mm		

* Optional heating module: **WH** -halogen (max= 250°C)

Dimensions:



Display graphic



Additional equipment:

ANTI-VIBRATION TABLE	DISPOSABLE WEIGHING PANS
"KAFKA" THERMAL PRINTER	CONTROL TERMOMETER
IMPACT "EPSON" PRINTER	CALIBRATION WEIGHT
PC KEYBOARD	COMPUTER SOFTWARE: PW-WIN 2005, RAD-KEY 2000